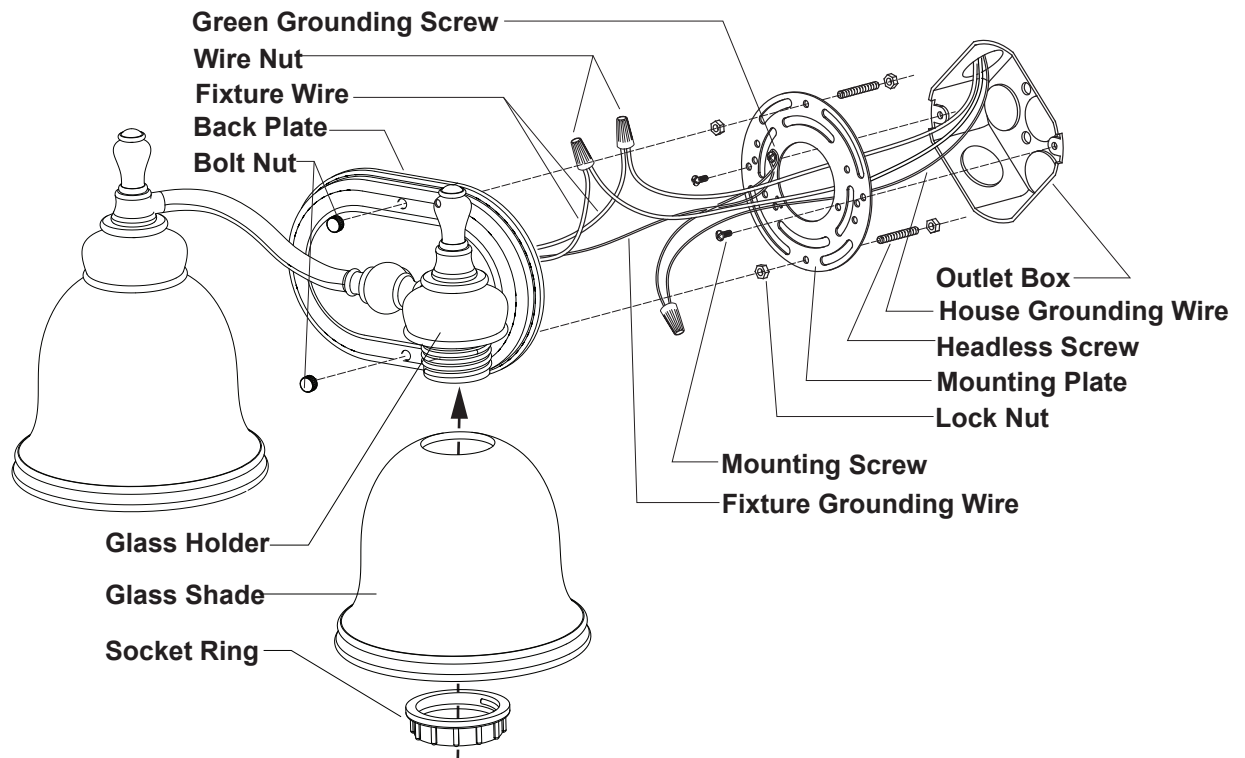


ASSEMBLY AND INSTALLATION INSTRUCTIONS

CL-VLD002 / VLD003

WARNING: BE SURE TO SHUT OFF POWER AT THE MAIN FUSE OR CIRCUIT BREAKER BOX BEFORE INSTALLING OR SERVICING THIS FIXTURE.

**NOTE: 1. Before installing, consult local electrical codes for wiring and grounding requirements.
2. READ AND SAVE THIS INSTRUCTION.**



1. Thread two headless screws to the mounting plate, and secure them with four lock nuts (two on each side of the mounting plate). Adjust the length of the headless screws if necessary.
2. Attach the mounting plate to the outlet box by using two mounting screws.
3. Pull out the outlet wires and the house grounding wire from the outlet box. Make wire connections using the wire nuts:
 - Connect the black wire from the fixture to the black wire from the power source.
 - Connect the white wire from the fixture to the white wire from the power source.
 - Attach the fixture grounding wire to the mounting plate with the green grounding screw. Then connect it to the house grounding wire with a wire nut.Carefully put the wires back into the outlet box.
4. Attach the back plate to the mounting plate by inserting the headless screws, then secure it with two bolt nuts.
5. Attach the glass shades onto the glass holders, and then secure them with the socket rings.
6. Install bulbs (not included). See relamping label at socket area or packaging for maximum allowed wattage.
7. Turn on the power at the main fuse or circuit breaker box.